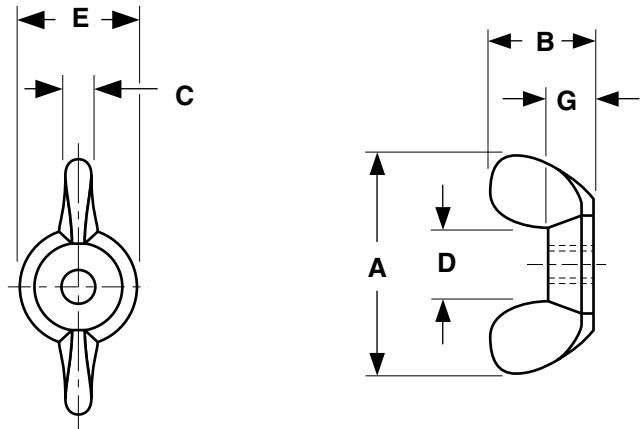




# Nuts

## Wing Nuts - Cold Forged



| Nominal Size or Basic Major Diameter of Thread | Threads Per Inch | A           |      | B           |      | C              |      | D             |      | E             |      | G           |      |      |
|--|------------------|-------------|------|-------------|------|----------------|------|---------------|------|---------------|------|-------------|------|------|
|  |                  | Wing Spread |      | Wing Height |      | Wing Thickness |      | Between Wings |      | Boss Diameter |      | Boss Height |      |      |
|  |                  | Max         | Min  | Max         | Min  | Max            | Min  | Max           | Min  | Max           | Min  | Max         | Min  |      |
| 4  | 0.1120           | 40 & 48     | 0.72 | 0.59        | 0.41 | 0.28           | 0.11 | 0.07          | 0.21 | 0.17          | 0.33 | 0.29        | 0.14 | 0.10 |
| 6  | 0.1380           | 32 & 40     | 0.72 | 0.59        | 0.41 | 0.28           | 0.11 | 0.07          | 0.21 | 0.17          | 0.33 | 0.29        | 0.14 | 0.10 |
| 8  | 0.1640           | 32 & 36     | 0.91 | 0.78        | 0.47 | 0.34           | 0.14 | 0.10          | 0.27 | 0.22          | 0.43 | 0.39        | 0.18 | 0.14 |
| 10   | 0.1900           | 24 & 32     | 0.91 | 0.78        | 0.47 | 0.34           | 0.14 | 0.10          | 0.27 | 0.22          | 0.43 | 0.39        | 0.18 | 0.14 |
| 12   | 0.2160           | 24 & 28     | 1.10 | 0.97        | 0.57 | 0.43           | 0.18 | 0.14          | 0.33 | 0.26          | 0.50 | 0.45        | 0.22 | 0.17 |
| 1/4  | 0.2500           | 20 & 28     | 1.10 | 0.97        | 0.57 | 0.43           | 0.18 | 0.14          | 0.33 | 0.26          | 0.50 | 0.45        | 0.22 | 0.17 |
| 5/16   | 0.3125           | 18 & 24     | 1.25 | 1.12        | 0.66 | 0.53           | 0.21 | 0.17          | 0.39 | 0.32          | 0.58 | 0.51        | 0.25 | 0.20 |
| 3/8  | 0.3750           | 16 & 24     | 1.44 | 1.31        | 0.79 | 0.65           | 0.24 | 0.20          | 0.48 | 0.42          | 0.70 | 0.64        | 0.30 | 0.26 |
| 7/16   | 0.4375           | 14 & 20     | 1.94 | 1.81        | 1.00 | 0.87           | 0.33 | 0.26          | 0.65 | 0.54          | 0.93 | 0.86        | 0.39 | 0.35 |
| 1/2  | 0.5000           | 13 & 20     | 1.94 | 1.81        | 1.00 | 0.87           | 0.33 | 0.26          | 0.65 | 0.54          | 0.93 | 0.86        | 0.39 | 0.35 |
| 5/8  | 0.6250           | 11 & 18     | 2.76 | 2.62        | 1.44 | 1.31           | 0.40 | 0.34          | 0.90 | 0.80          | 1.19 | 1.13        | 0.55 | 0.51 |
| 3/4  | 0.7500           | 10 & 16     | 2.76 | 2.62        | 1.44 | 1.31           | 0.40 | 0.34          | 0.90 | 0.80          | 1.19 | 1.13        | 0.55 | 0.51 |

ANSI/ASME B18.17

**The value-added source for quality bolts, screws, nuts, washers and other industrial fasteners.**

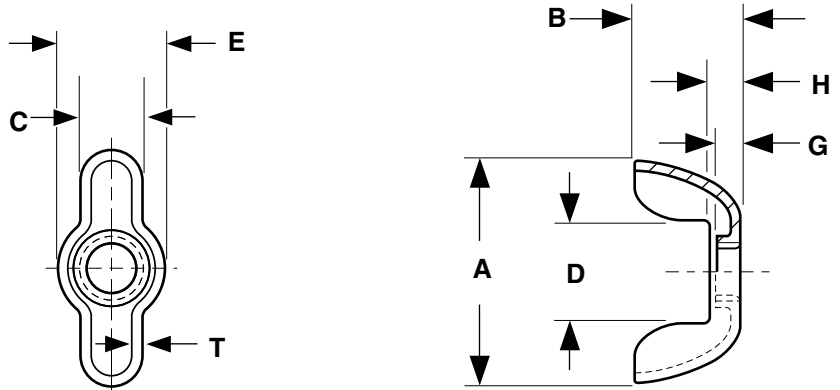
3211 West 9th Street, Trainer, PA 19061-5242 TOLL FREE: 1-800-662-7459 LOCAL: 610-485-5700 FAX: 610-485-5877

E-MAIL: [sales@coburnmyers.com](mailto:sales@coburnmyers.com)



# Nuts

## Wing Nuts - Stamped



| Nominal Size<br>or Basic Major<br>Diameter of<br>Thread | Threads<br>Per Inch | A           |      | B           |      | C              |      | D             | E             |      | G           | H           | T               |      |      |
|---|---------------------|-------------|------|-------------|------|----------------|------|---------------|---------------|------|-------------|-------------|-----------------|------|------|
|   |                     | Wing Spread |      | Wing Height |      | Wing Thickness |      | Between Wings | Boss Diameter |      | Boss Height | Wall Height | Stock Thickness |      |      |
|   |                     | Max         | Min  | Max         | Min  | Max            | Min  | Min           | Max           | Min  | Min         | Min         | Max             | Min  |      |
| 4   | 0.1120              | 40          | 0.76 | 0.73        | 0.39 | 0.37           | 0.16 | 0.13          | 0.23          | 0.39 | 0.36        | 0.07        | 0.12            | 0.04 | 0.02 |
| 6   | 0.1380              | 32          | 0.78 | 0.72        | 0.40 | 0.34           | 0.18 | 0.14          | 0.25          | 0.41 | 0.35        | 0.08        | 0.12            | 0.04 | 0.03 |
| 8   | 0.1640              | 32 & 36     | 0.78 | 0.72        | 0.40 | 0.34           | 0.18 | 0.14          | 0.25          | 0.41 | 0.35        | 0.08        | 0.12            | 0.04 | 0.03 |
| 10  | 0.1900              | 24 & 32     | 0.91 | 0.85        | 0.47 | 0.41           | 0.21 | 0.17          | 0.34          | 0.53 | 0.47        | 0.10        | 0.12            | 0.04 | 0.03 |
| 12  | 0.2160              | 24 & 28     | 1.09 | 1.03        | 0.47 | 0.41           | 0.21 | 0.17          | 0.34          | 0.53 | 0.47        | 0.10        | 0.12            | 0.05 | 0.04 |
| 1/4   | 0.2500              | 20 & 28     | 1.11 | 1.05        | 0.50 | 0.44           | 0.25 | 0.21          | 0.34          | 0.62 | 0.56        | 0.11        | 0.12            | 0.05 | 0.04 |
| 5/16  | 0.3125              | 18 & 24     | 1.30 | 1.24        | 0.59 | 0.53           | 0.30 | 0.26          | 0.46          | 0.73 | 0.67        | 0.14        | 0.18            | 0.06 | 0.05 |
| 3/8   | 0.3750              | 16 & 24     | 1.41 | 1.34        | 0.67 | 0.61           | 0.34 | 0.30          | 0.69          | 0.83 | 0.77        | 0.16        | 0.18            | 0.06 | 0.05 |
| 7/16  | 0.4375              | 14          | 1.75 | 1.72        | 0.67 | 0.64           | 0.30 | 0.27          | 0.73          | 1.00 | 0.97        | 0.19        | 0.20            | 0.07 | 0.04 |
| 1/2   | 0.5000              | 13          | 1.75 | 1.72        | 0.67 | 0.64           | 0.30 | 0.27          | 0.73          | 1.00 | 0.97        | 0.19        | 0.20            | 0.07 | 0.04 |

ANSI/ASME B18.17\*

\*ANSI/ASME B18.17 does not specify dimensions for #4, 7/16 and 1/2 inch diameter type-D stamped wing nuts.

**The value-added source for quality bolts, screws,  
nuts, washers and other industrial fasteners.**

3211 West 9th Street, Trainer, PA 19061-5242 TOLL FREE: 1-800-662-7459 LOCAL: 610-485-5700 FAX: 610-485-5877

E-MAIL: [sales@coburnmyers.com](mailto:sales@coburnmyers.com)